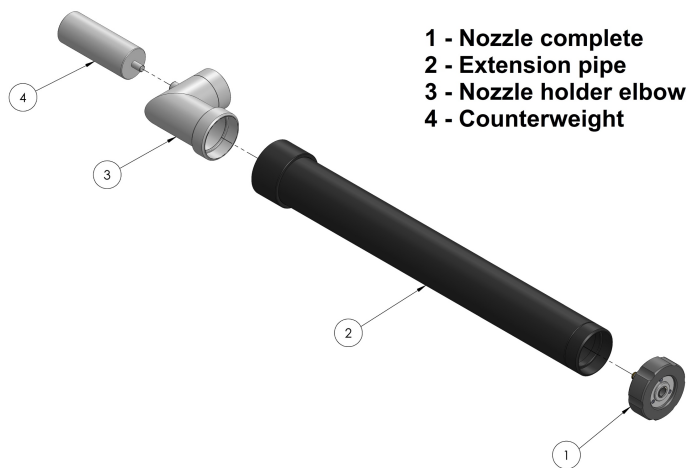


TracFOG Nozzle Extension Instructions

1. Unscrew the threaded ring from the nozzle holder elbow and pull out the nozzle.
2. Disconnect the nozzle from the solution line.
3. Connect the solution line extension to the existing solution line.
4. Screw the extension pipe onto the nozzle holding elbow.
5. Connect the nozzle to the solution line extension.
6. Fasten the nozzle to the extension pipe using the threaded ring.
7. Fasten the counterweight to the threaded sleeve on the nozzle holder elbow.
8. Repeat the procedure on the other side.



Dramm Corporation - 800/258.0848

information@dramm.com

www.dramm.com